



INSTRUCTION MANUAL

ASSEMBLY AND OPERATION

2 PART SPLIT SIDE RAILS



CE

Last update 18.04.2023

Index

Index	2
1.General information	3
1.1 Explanation of the symbols used	3
2.Intended purpose	4
2.1 Intended use (application environment)	4
2.2 Unauthorised use	4
2.3 General safety instructions	4
3.Assembly and commissioning	5
3.1 Assembly of the 2 part split side rails	5
4.Functional description	7
5.Maintenance	8
5.1 Bases	8
5.2 Maintenance schedule	8
6.Technical specifications	9

Before the first use:

Read the instructions for use conscientiously and completely!

Please pay particular attention to the various safety instructions. The side rails should be cleaned and disinfected before first use and before each re-use.



The 2 part split side rails are accessories for Cadence beds, classified as class I medical devices and carry the CE mark. The side rails meet the requirements for safety and functionality.

The 2 part split side rails has been tested according to international standards, which include the safety requirements for medical devices.

However, these safety requirements can only be met if the user is convinced of the proper condition before using the side rails.

1.1 Explanation of the symbols used

In these operating instructions, important information is indicated by the following symbols:



Read information with this symbol carefully and observe it urgently. This information is relevant to safety



This symbol warns of general dangers. There is danger to life and health.



Mark of conformity according to Medical Devices Regulation (EU) 2017/745



Manufacturing date



Manufacturer of the medical device



Medical device



Serial number

2.1 Intended use (application environment)

The 2 part split side rails are only approved as accessories for Cadence beds from Harvest Healthcare Ltd. They are intended to give the person lying in bed security against accidentally falling out of bed. The side rails may only be used for adults who are at least 150 cm tall and lying in bed.

Any other use is considered improper and is excluded from possible liability.

2.2 Unauthorised use

All uses deviating from the intended use, which can then also lead to hazards. The side rails must not be used for children or people shorter than 150 cm. They are not suitable for climbing over or supporting.

The side rails are not to be used as a measure involving deprivation of liberty for the bedridden person.

2.3 General safety instructions

Possible potential dangers which may occur despite proper operation must be pointed out separately during the instruction. Before initial operation, the user/care personnel must read the operating instructions carefully and in detail.

When using the 2 part split side rails, the following instructions must be observed in particular:

- Only use side rails approved by Harvest Healthcare as optional accessories. The permissible dimensions can be found in chapter 4.
- The use of incompatible side rails is not permitted and can lead to hazards, e.g. due to trapping.
- The distance between two side rails lying one above the other or between the lower edge of the lower side rail and the lying surface must not exceed 12 cm.
- Only instructed personnel may operate the side rails.
- Side rails may only be fully raised and locked or fully lowered.
- When lowering the side rails, take care not to drop them.
- The side rails only offer protection against rolling out when the backrest and knee adjustment are in the horizontal position.
- Under no circumstances should side rails be used improperly (e.g. for climbing over or supporting).
- The distance between the top edge of the side rail and the top of the mattress in non-compressed condition must be at least 22 cm. If the distance is less than the specified minimum, use a side rail elevation.
- A dimension of <120mm or >318 mm is required for the openings between the divided side rails.
- When using the bed extension as an accessory and the 2 part split side rails, it is necessary to retrofit the protector (accessory) to prevent the patient from getting trapped or falling out.
A dimension of <60 mm is required for the openings between the divided side rails and the footboard of the bed or >318 mm required.
- **No parts of the patient's body may protrude over the lying surface or touch the side rails while the adjustment function is being actuated.**
- **When using the bed extension as an accessory and the 2 part split side rails, it is necessary to retrofit the protector (accessory) to prevent the patient from getting trapped or falling out.**
- **This indicates you must buy and install the retrofit protector to be able to operate the bed extended.**

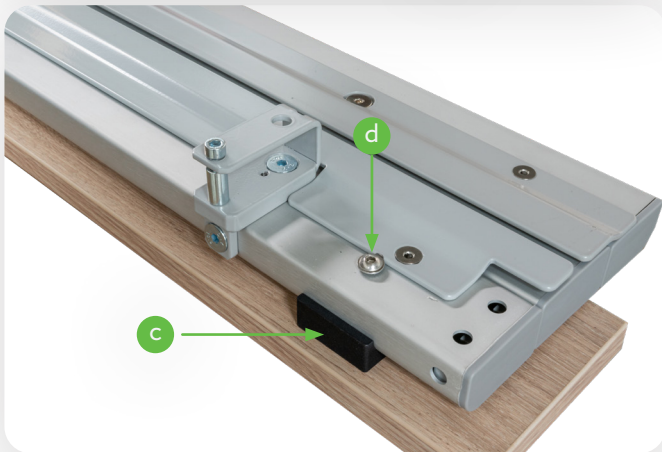
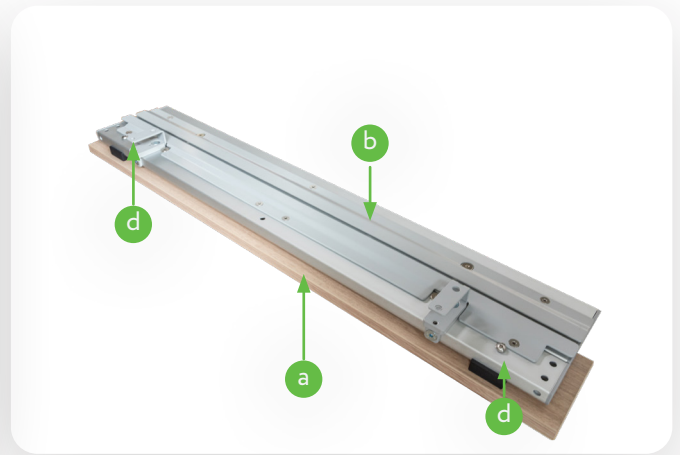


3. Assembly and commissioning

3.1 Assembly of the 2 Part Split Side Rails

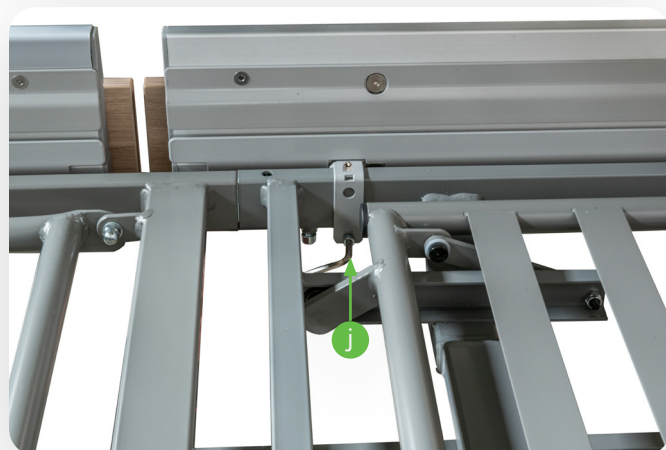
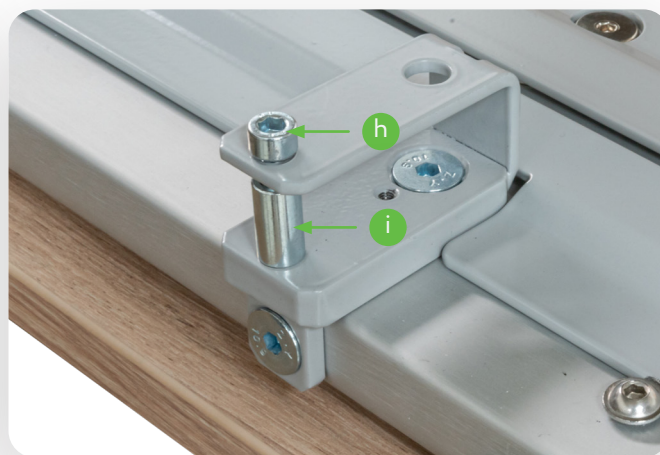
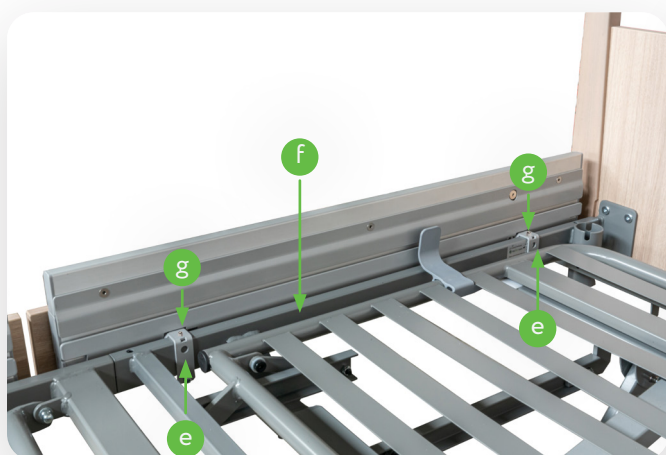
When installing the 2 part split side rails, proceed as follows:

1. Before mounting the aluminum side rails on the bed frame, the wooden side panels (a) must be attached to the side rails (b).
2. Place the plasticspacer (c) between the wooden side panel and the side rail and guide both screws (d) through the holes in the side rail, spacer and wooden side panel.
3. Tighten both screws.
4. Also mount the wooden side panels on the other aluminum side rails.



3. Assembly and commissioning

5. Hang the side rail with the two U-shaped straps **(e)** on the longitudinal frame tube **(f)** of the lying surface.
6. Position the side rails on the mattress base frame tube so that the two threaded pins **(g)** of the U-shaped bracket fit into the holes in the mattress base frame tube.
7. Insert the Allen screw **(h)** through both holes of the two mounting brackets.
8. The spacer sleeve **(i)** must be centered over the Allen screw.
9. Tighten the Allen screw with an Allen key **(j)**.
10. Repeat steps **1-12** for all other side rails.



4. Functional description

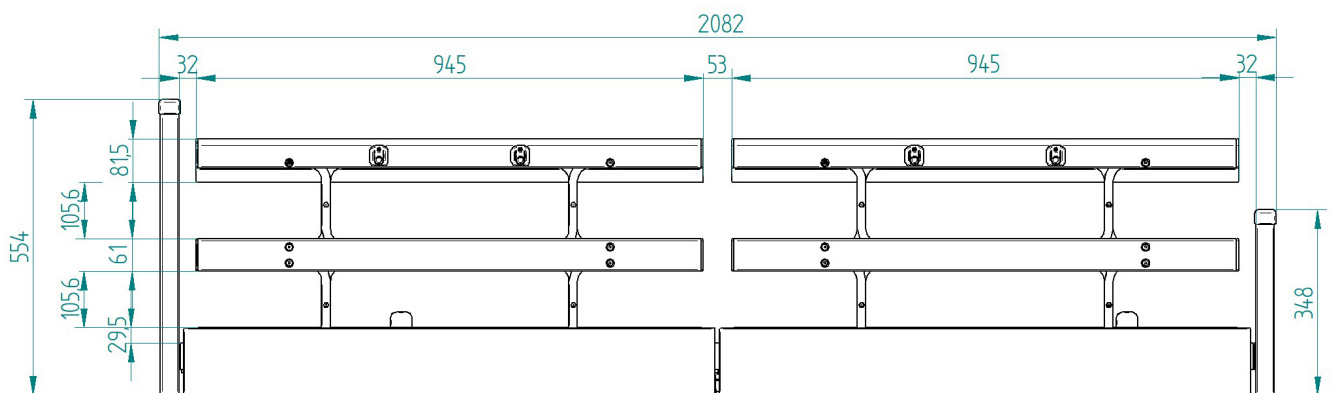
1. To use the 2 part split side rails, pull the upper side rail element **(a)** upwards until you hear it click into place.
2. To lower the side rail, lift the upper side rail element and then press both release buttons **(b)** for the side rail lock at the same time. Lower the side rail.



Use the following overview to check the use of the correct side rail and the permissible positions or distances of the side rail variants.



2 part split side rails (1 set/ 2 pieces) (item number BC 9.04.05763800)



5. Maintenance

5.1 Bases

The service life of the Cadence bed depends essentially on handling and maintenance. To ensure safe operation, we recommend that a visual and functional check, including an electrical check, be carried out at least once a year and before each reuse as a guide value, under your own responsibility.

Carry out maintenance at least once a year and before each reuse according to the maintenance schedule.

If you have any doubts about the safety or function of the side rails during the maintenance measures described below, the side rails may no longer be used. Then contact the supplier or manufacturer.

5.2 Maintenance schedule

Serial No.: Responsible:
 Location: Inspector:

Pos.	Test instruction	OK	Not OK	Comment
1.	Examination of the basic prerequisite			
1.1	Is the general condition okay?			
1.2	Type plate legible?			
1.3	Instructions for use available and accessible to personnel?			
1.4	Appropriate and safe use?			
2.	Visual inspection			
2.1	No surface damage or corrosion?			
2.2	Mechanical components and welds without defects?			
2.3	All mechanical connecting elements are fixed?			
3.	Functional test			
3.1	Release buttons are easy to operate			
3.2	Side rails fold down without obstacles			
3.3	Side rails fold up without obstruction and lock fully into place			
3.4	Max. Distance between the side rails 12 cm?			
3.5	Side rail height above the mattress at least 22 cm?			

Overall rating Overall assessment of the Cadence bed in order?

Remarks:
 Place / Date: Inspector:
 Next test: Signature:

6. Technical specifications

Max. Height		12 - 16 cm
2 part split Aluminium-side rail (article number BC 9.04.05763800)		
Materials	side rail	Aluminium Powder coated Steel
	Fastening system	
Classification	Accessories for Medical device	Class 1
Weight / piece		6.20 kg



harvesthealthcare®
a prismhealthcare company

Sheaf House, Bradmarsh Way,
Bradmarsh Business Park,
Rotherham, S60 1BW

T +44 (0)1709 377 172
F +44 (0)1709 377 173
E sales@harvesthealthcare.co.uk
www.harvesthealthcare.co.uk



tecfor care GmbH
Fraunhoferstraße 8
51647 Gummersbach
Deutschland

Telefon: +49 2261 50186 0
Mail: info@tecfor-care.com
Web: www.tecfor-care.com